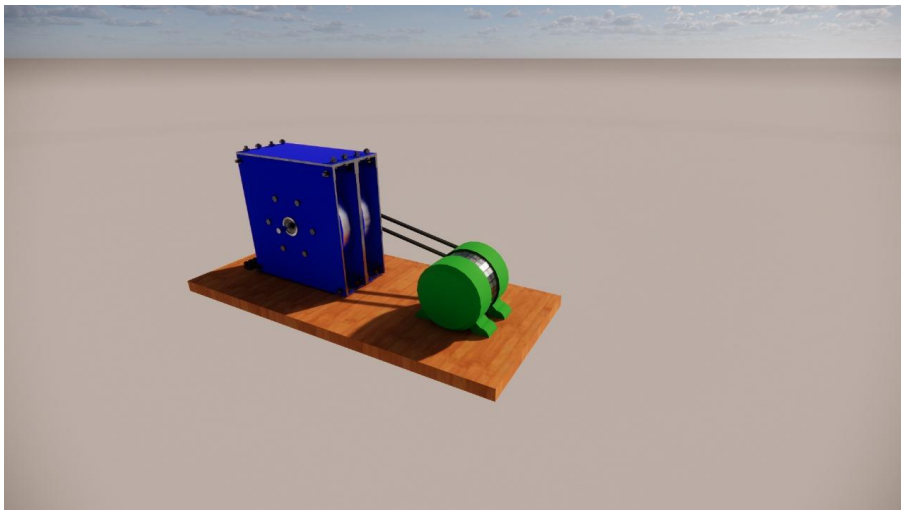


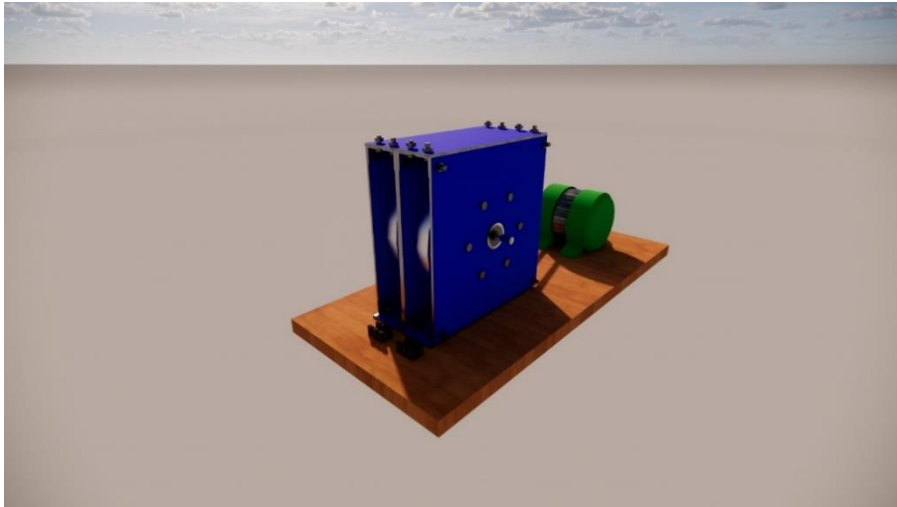
1. LAMPIRAN



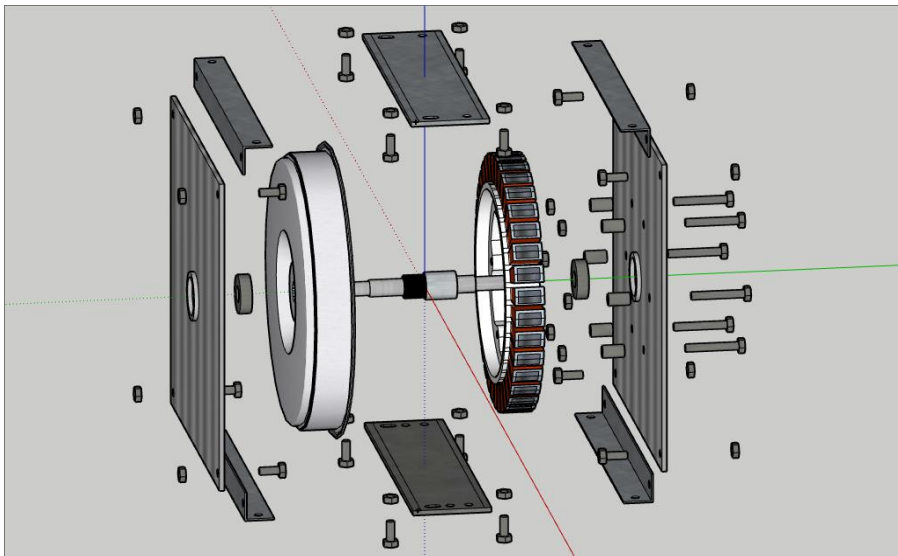
Pengujian Generator PMSG dengan menggunakan PQA (Power Quality Analyzer).



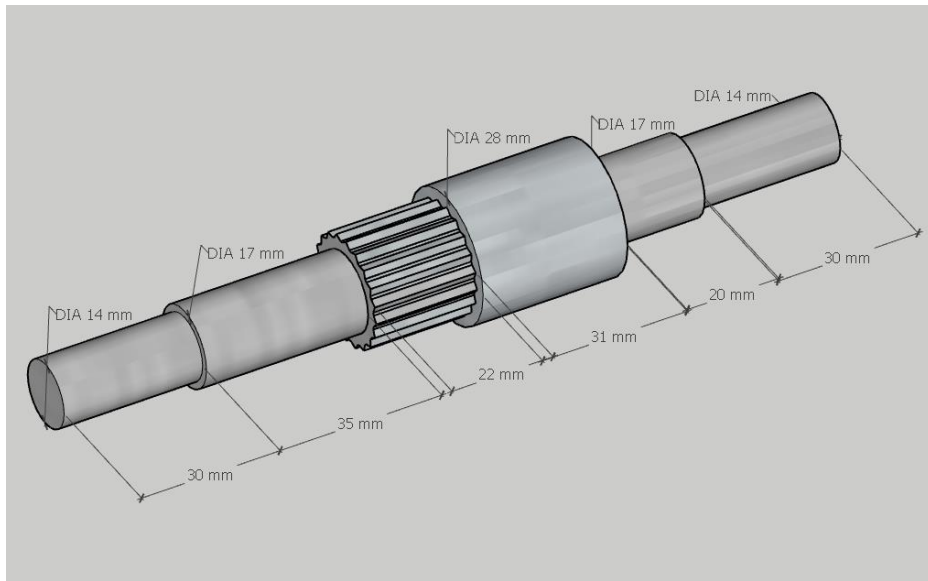
Design Permanent Magnet Synchronous Generator.



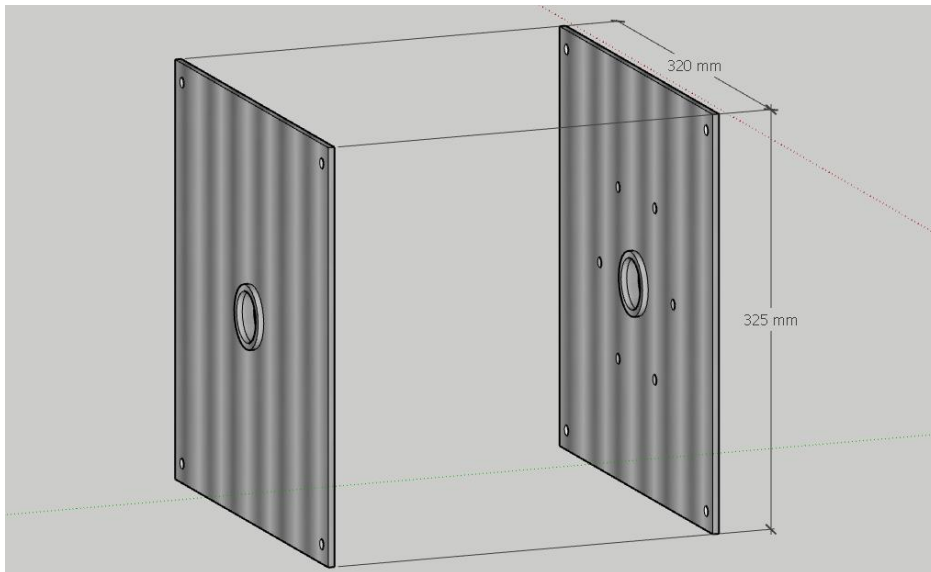
Design Permanent Magnet Synchronous Generator.



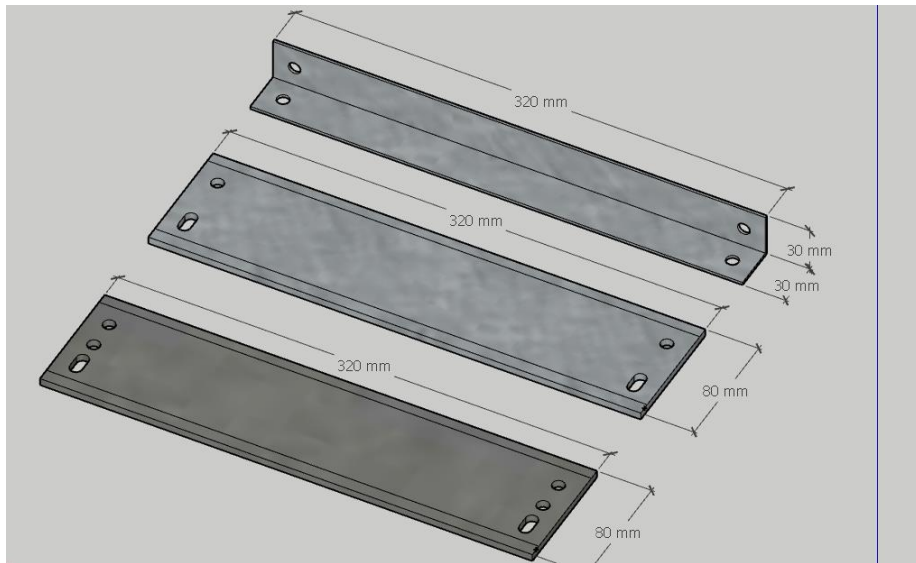
Rotor dan Stator Permanent Magnet Synchronous Generator.



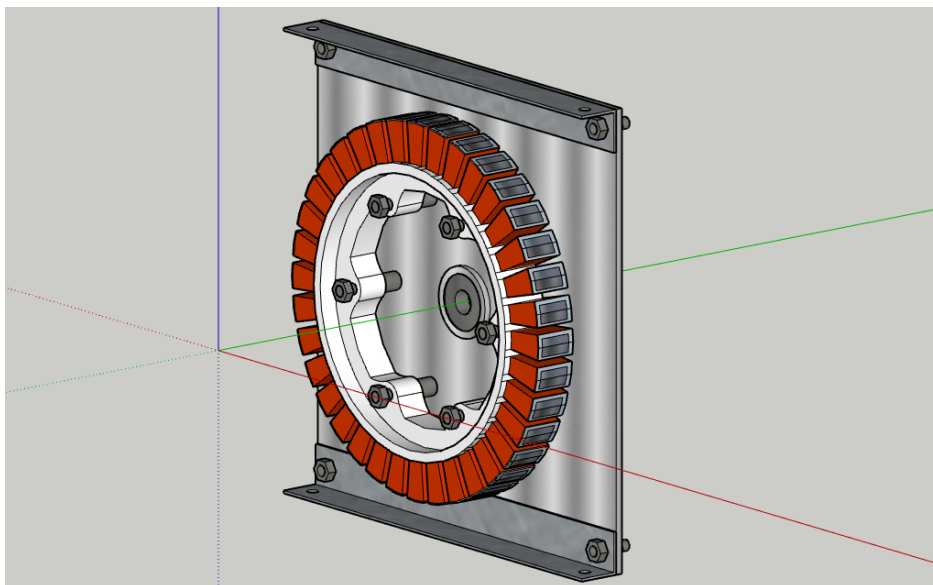
Design Shaft PMSG.



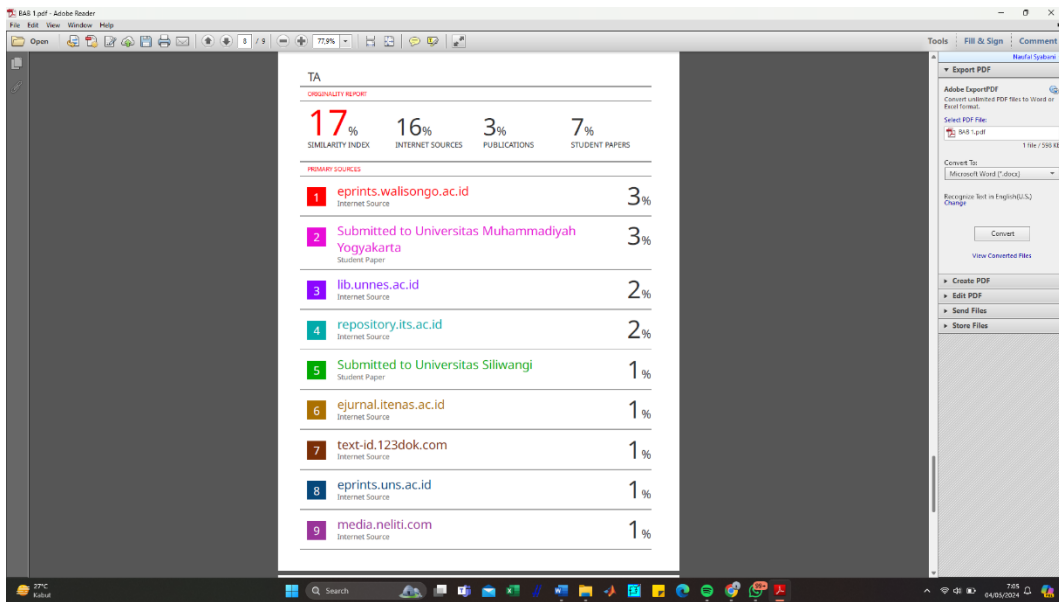
Gambar Design Plat Besi PMSG.



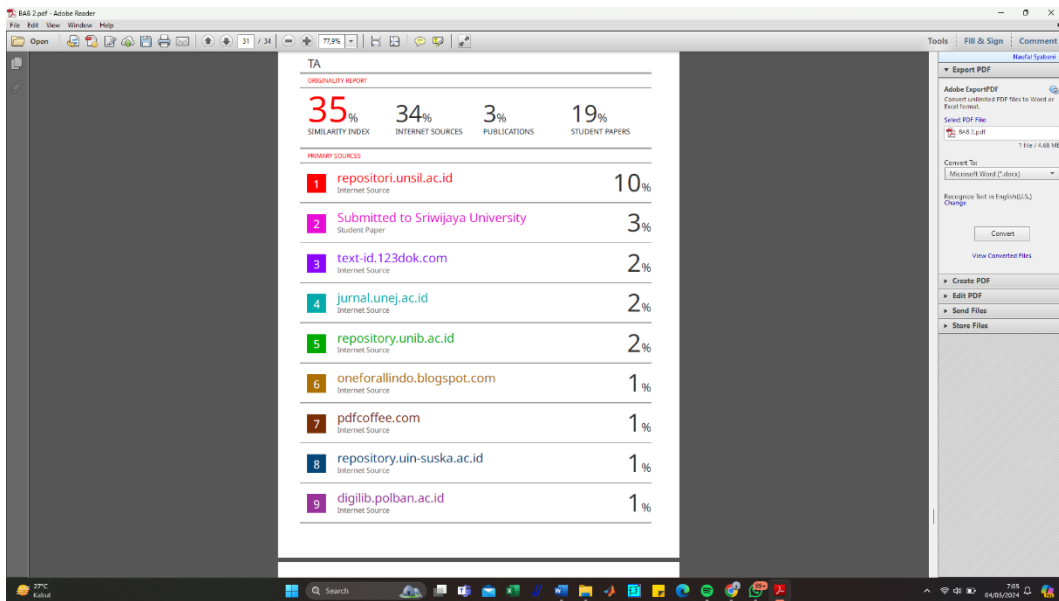
Design Plat Besi Cover Permanent Magnet Synchronous Generator.



Design Stator Permanent Magnet Synchronous Generator.



Turnitin BAB 1.



Turnitin BAB 2.

TA ORIGINALITY REPORT

14% SIMILARITY INDEX **14%** INTERNET SOURCES **2%** PUBLICATIONS **2%** STUDENT PAPERS

PRIMARY SOURCES

1	repositori.unsil.ac.id	Internet Source	6%
2	eprints.walisongo.ac.id	Internet Source	1%
3	jurnal.unsil.ac.id	Internet Source	1%
4	Submitted to Universitas Pelita Harapan	Student Paper	1%
5	repository.its.ac.id	Internet Source	1%
6	eprints.uny.ac.id	Internet Source	1%
7	123dok.com	Internet Source	1%

Turnitin BAB 3.

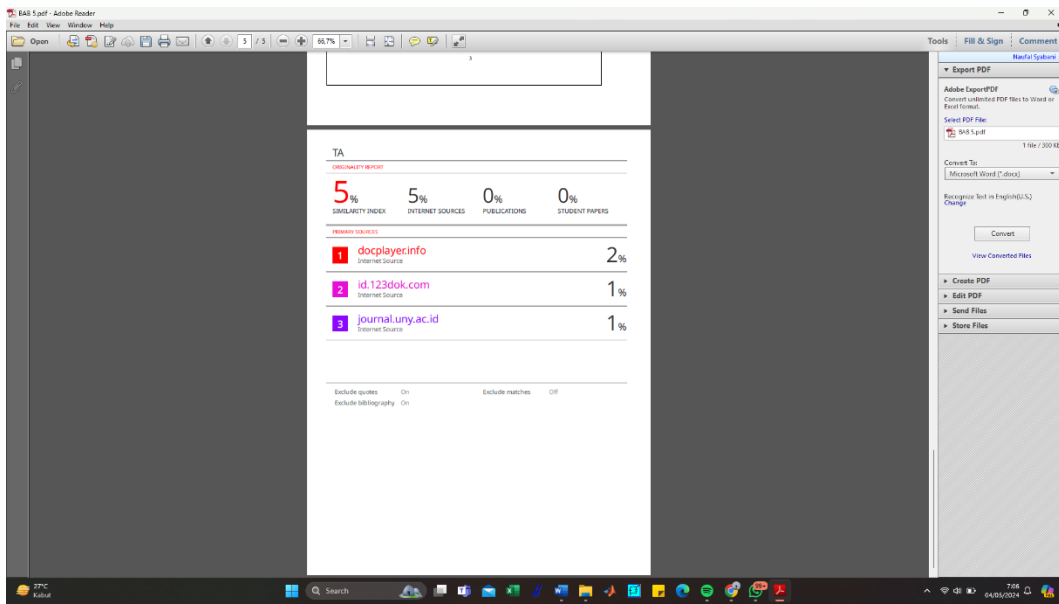
TA ORIGINALITY REPORT

8% SIMILARITY INDEX **7%** INTERNET SOURCES **0%** PUBLICATIONS **3%** STUDENT PAPERS

PRIMARY SOURCES

1	Submitted to Universitas Siliwangi	Student Paper	3%
2	repositori.unsil.ac.id	Internet Source	2%
3	jurnal.unsil.ac.id	Internet Source	1%
4	eprints.undip.ac.id	Internet Source	1%
5	es.scribd.com	Internet Source	1%
6	media.neliti.com	Internet Source	1%
7	Submitted to Universitas Ibn Khaldun	Student Paper	<1%

Turnitin BAB 4.



Turnitin BAB 5.